

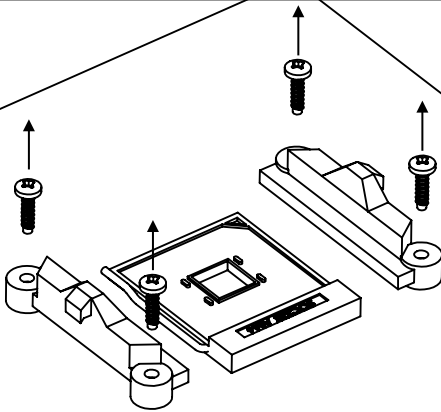
DER BAUER

With recent advancements in processor architecture manufacturers no longer place the die directly in the middle of the substrate. This results in an offset of the IHS in relation to the actual heat source; increasing thermal resistance.

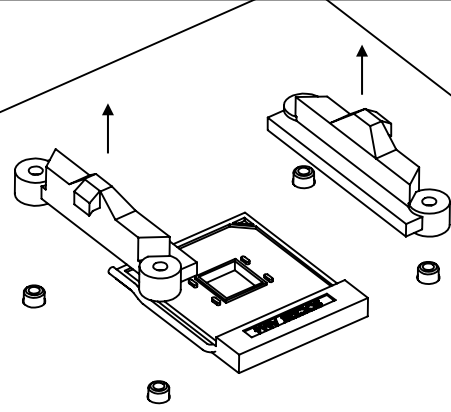
WARNING: REMOVAL OF THE STOCK RETENTION MODULE IS PERFORMED AT YOUR OWN RISK AND MIGHT RESULT IN THE INVALIDATION OF THE MANUFACTURERS WARRANTY. CHECK WITH YOUR BOARD MANUFACTURER.

WARNING: IMPROPER USE MAY RESULT IN DAMAGE TO YOUR EQUIPMENT.

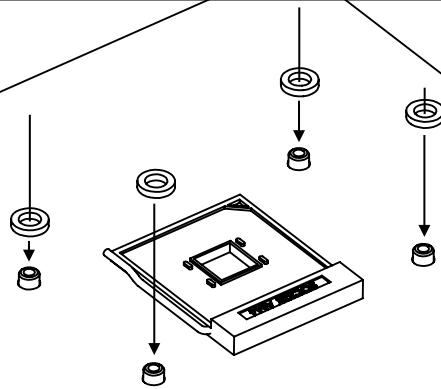
Step 1: Loosen stock bracket screws.



Step 2: Remove stock brackets.

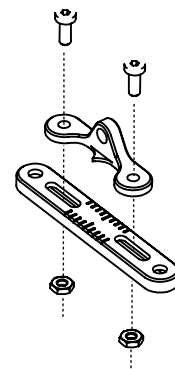


Step 3: Add offset washers.



Step 4: Assemble brackets.

2 x

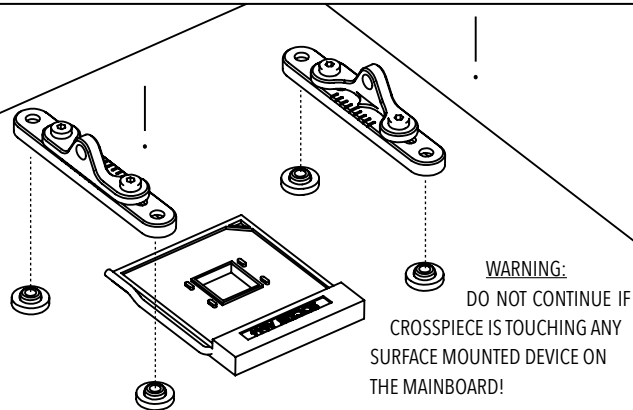


I) Assemble loosely as show.

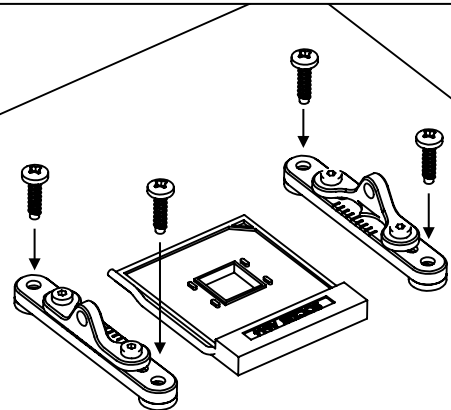
II) Align slider over center of crosspiece.

III) Tighten screws. max. 1Nm

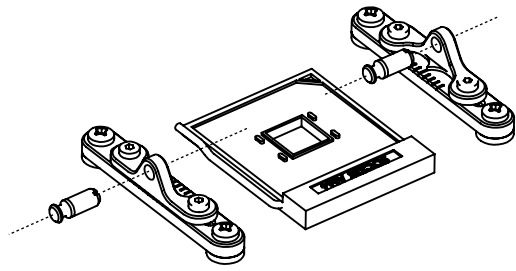
Step 5: Place brackets on mounting points



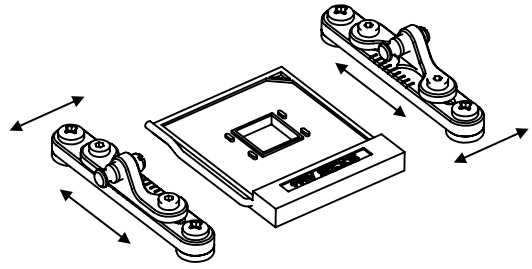
Step 6: Tighten using stock bracket screws.



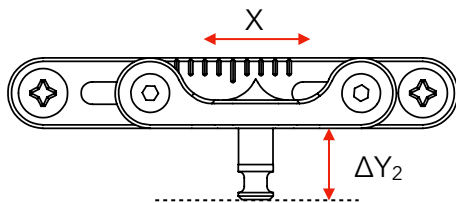
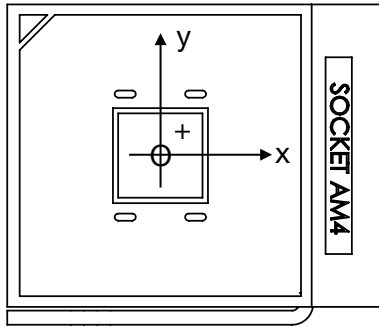
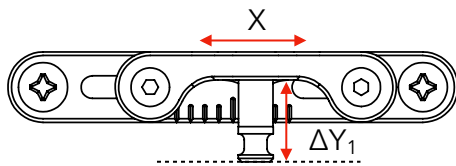
Step 7: Screw in pins as shown:



Step 8: Adjust as needed by your CPU model:



Adjust the RYZEN™ 3000 OC Bracket AIO to suite your particular CPU. The recommended values for X, ΔY_1 and ΔY_2 are listed in the table given below.



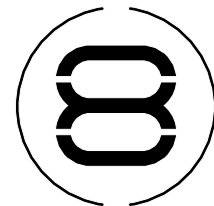
Processor	X	ΔY_1 in [mm]	ΔY_2 in [mm]
3600	+3,25	9,48	8,66
3600X	+3,25	9,48	8,66
3700X	+3,25	9,48	8,66
3800X	+3,25	9,48	8,66
3900X	0,00	9,61	8,79
3950X	0,00	9,61	8,79

WARNING: SCALE ON BRACKETS IS SPACED IN 2,00 mm INCREMENTS

This product is engineered to work with all mainboards using the reference AM4 design, keep out zones and a standard board layout. The design has gone through rigorous testing to ensure broad compatibility. For more information on this product visit:

www.der8auer.de

NOTES:



DER 8AUER

der8auer ECC - Extreme Cooling Components
roman@der8auer.de - www.der8auer.de

Roman Hartung
 Brunsbüttler Damm 1
 13581 Berlin
 Germany