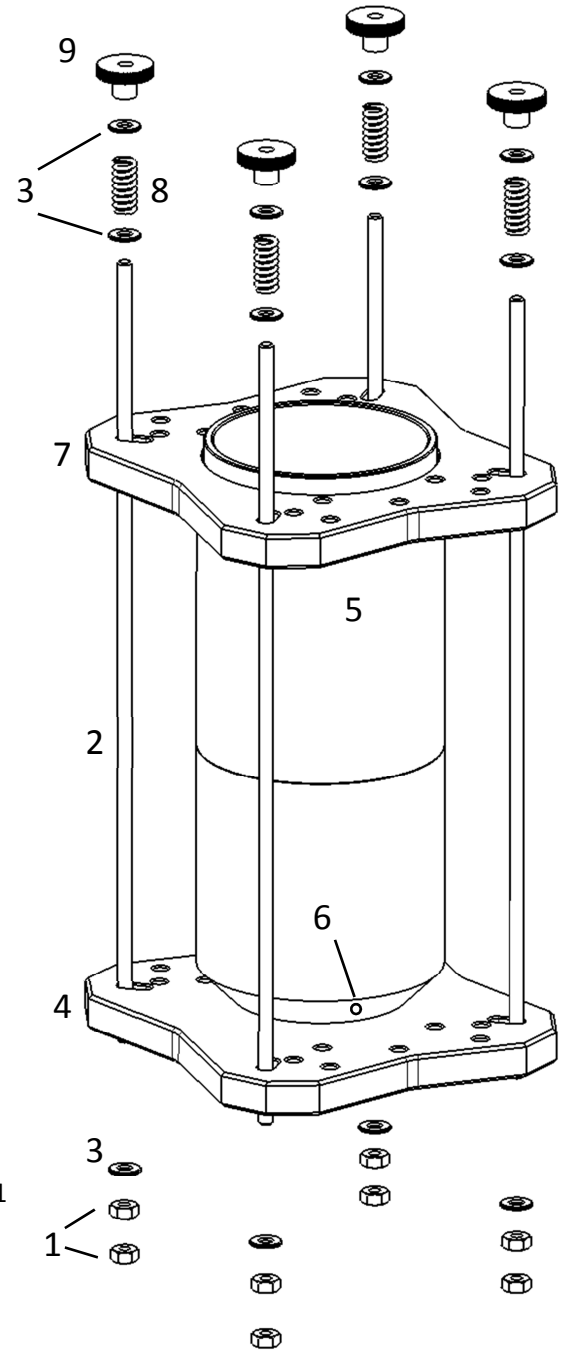
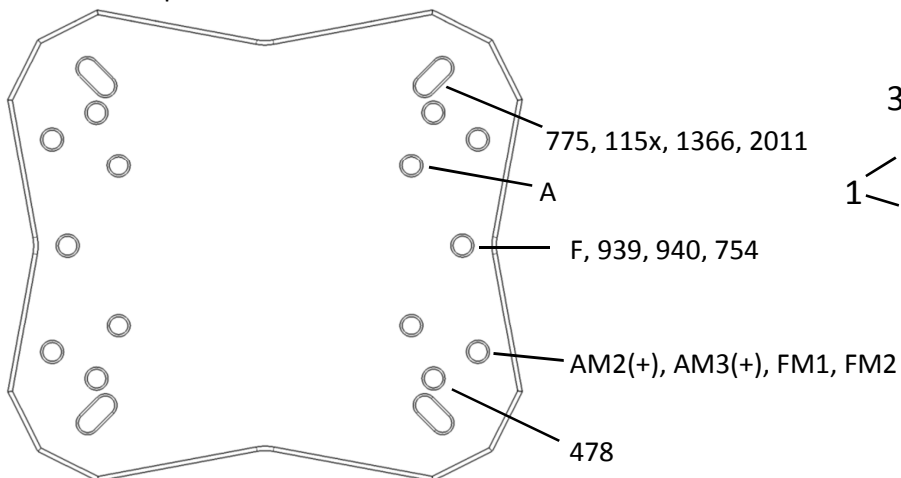


Deutsch

1. Mutter M4
2. Gewindestange M4
3. Unterlegscheibe
4. Backplate
5. Fusion rev 3.1 Container
6. Bohrung für Temperaturfühler
7. Halterung
8. Feder
9. Rändelmutter M4



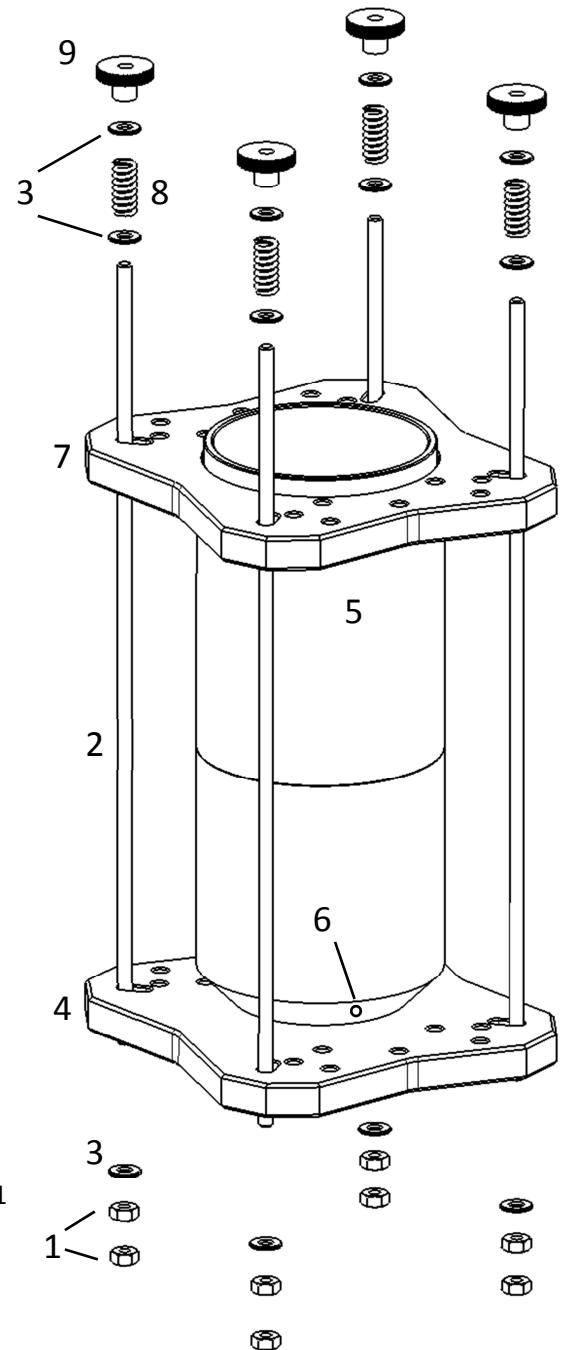
Sockel Kompatibilität:



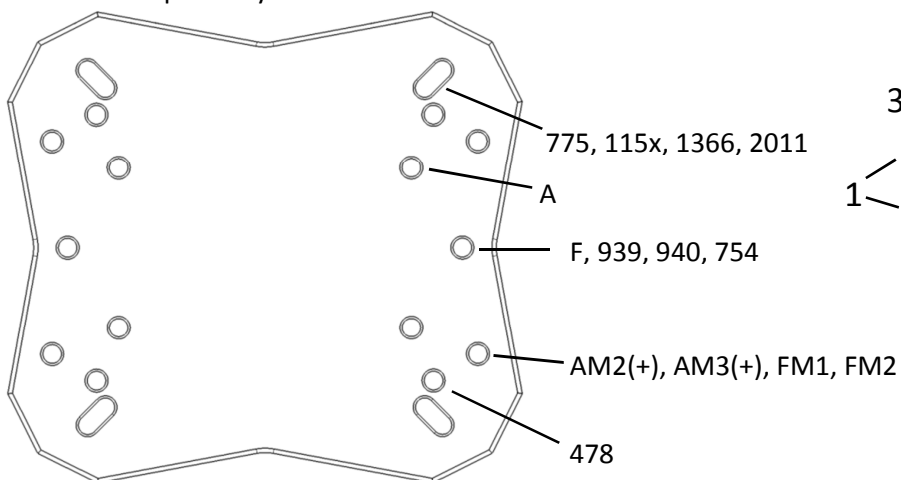
Fusion rev 3.1 mounting guide

English

1. Nut M4
2. Threaded rod M4
3. Washer
4. Backplate
5. Fusion rev 3.1 Container
6. Hole for thermocouple
7. Mounting frame
8. Spring
9. Knurled nut M4



Socket compatibility:



For a detailed mounting and insulation guide please visit www.der8auer.com